

Rev.	Sym.	Q'TY	ICN/ECN NO	Changed by	Date
V1.0			the first release		

COMPANY CONFIDENTIAL

A

B

C

D

E

F

A

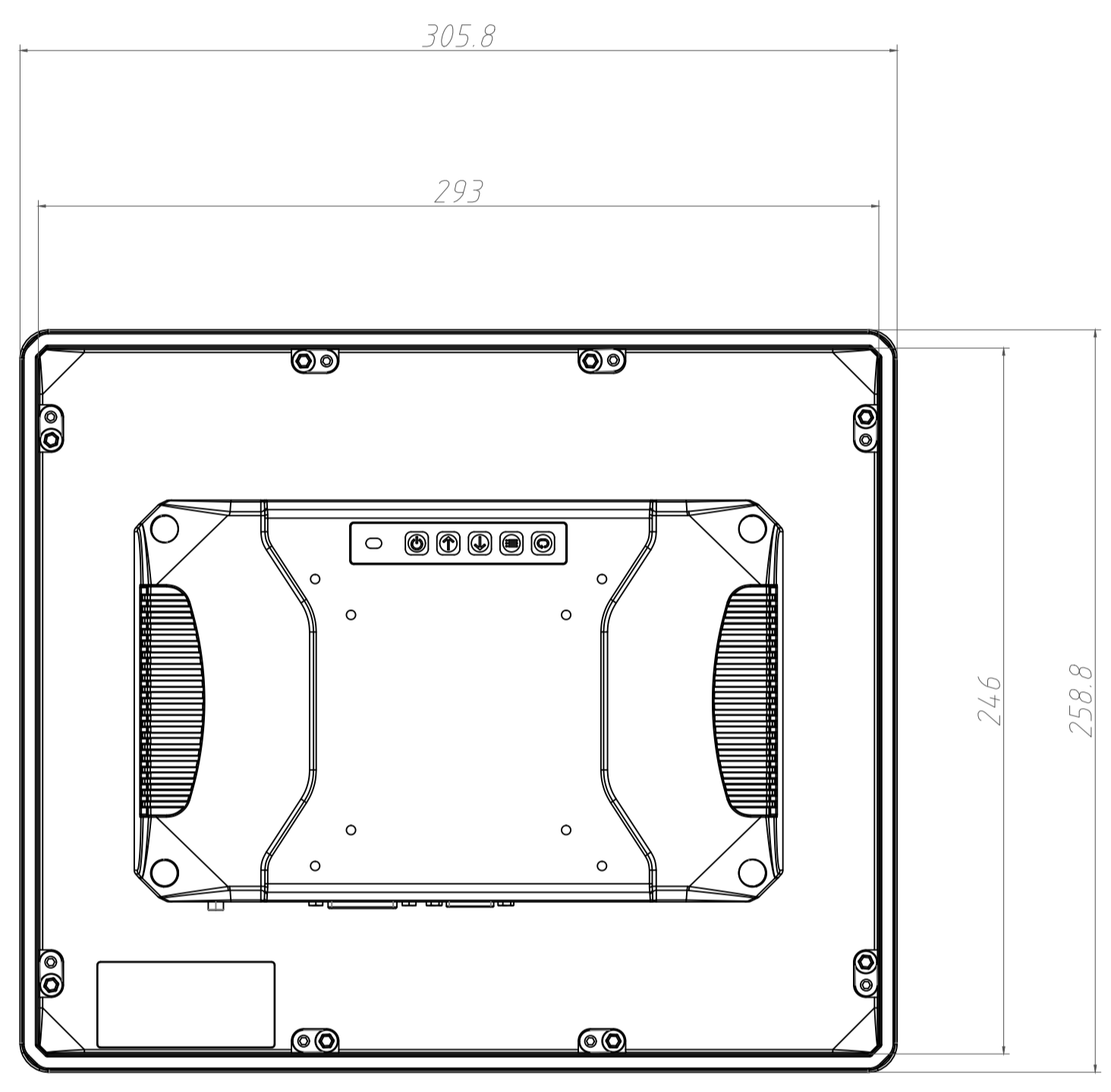
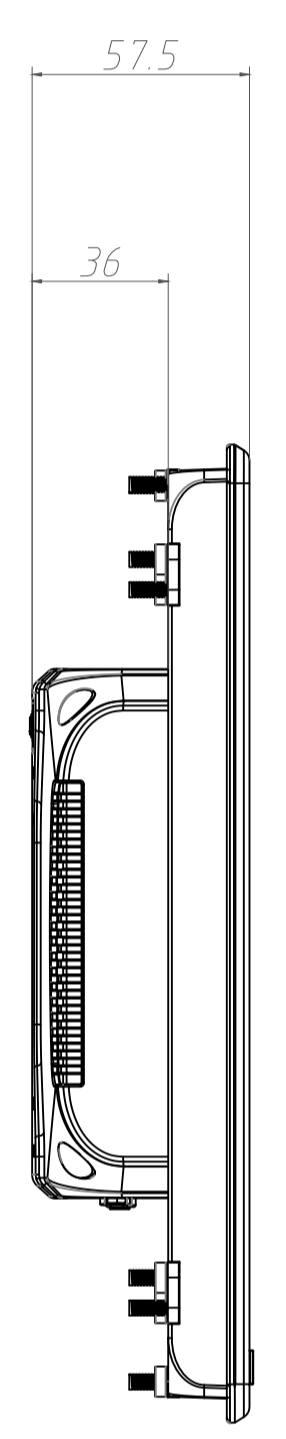
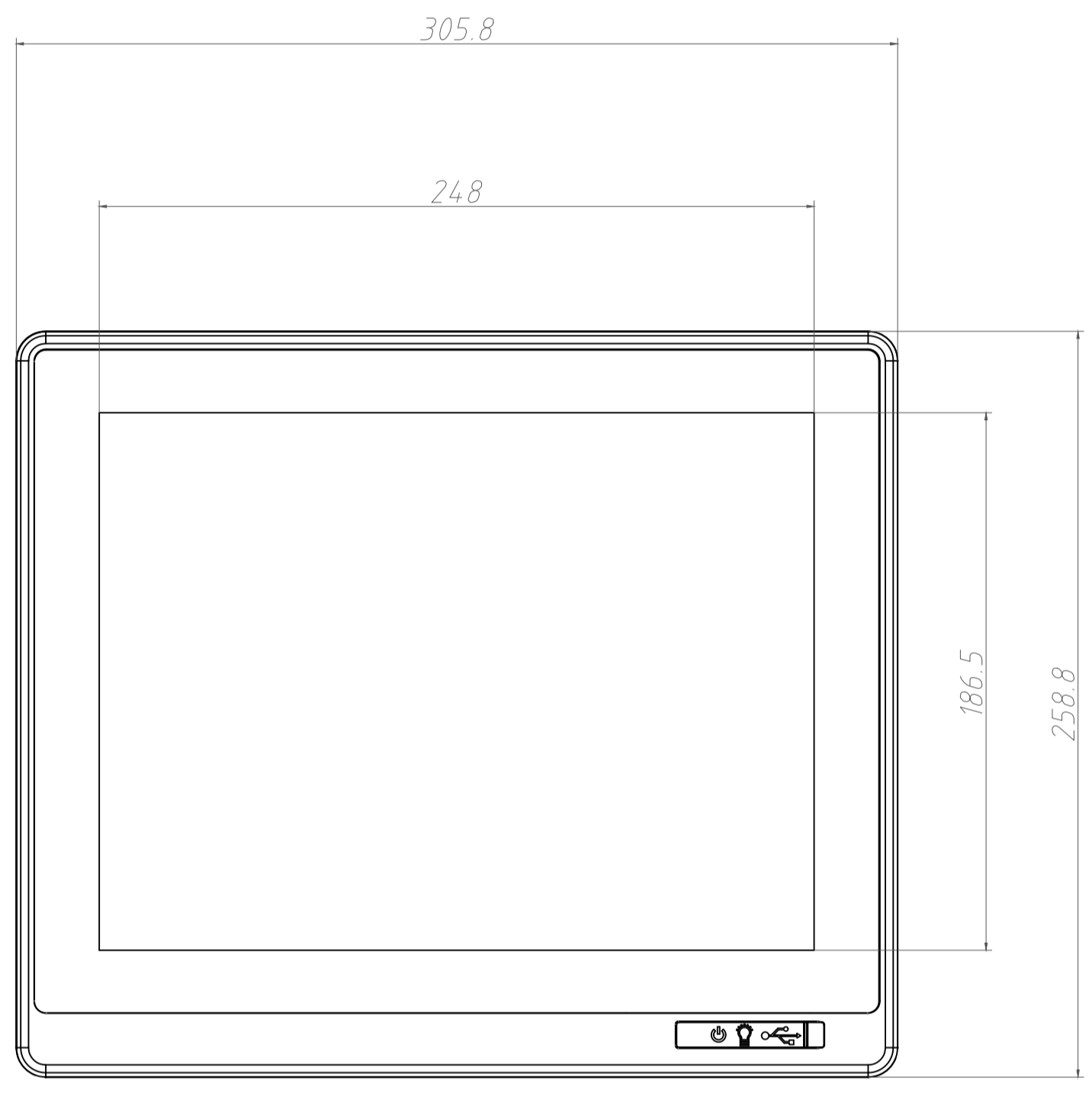
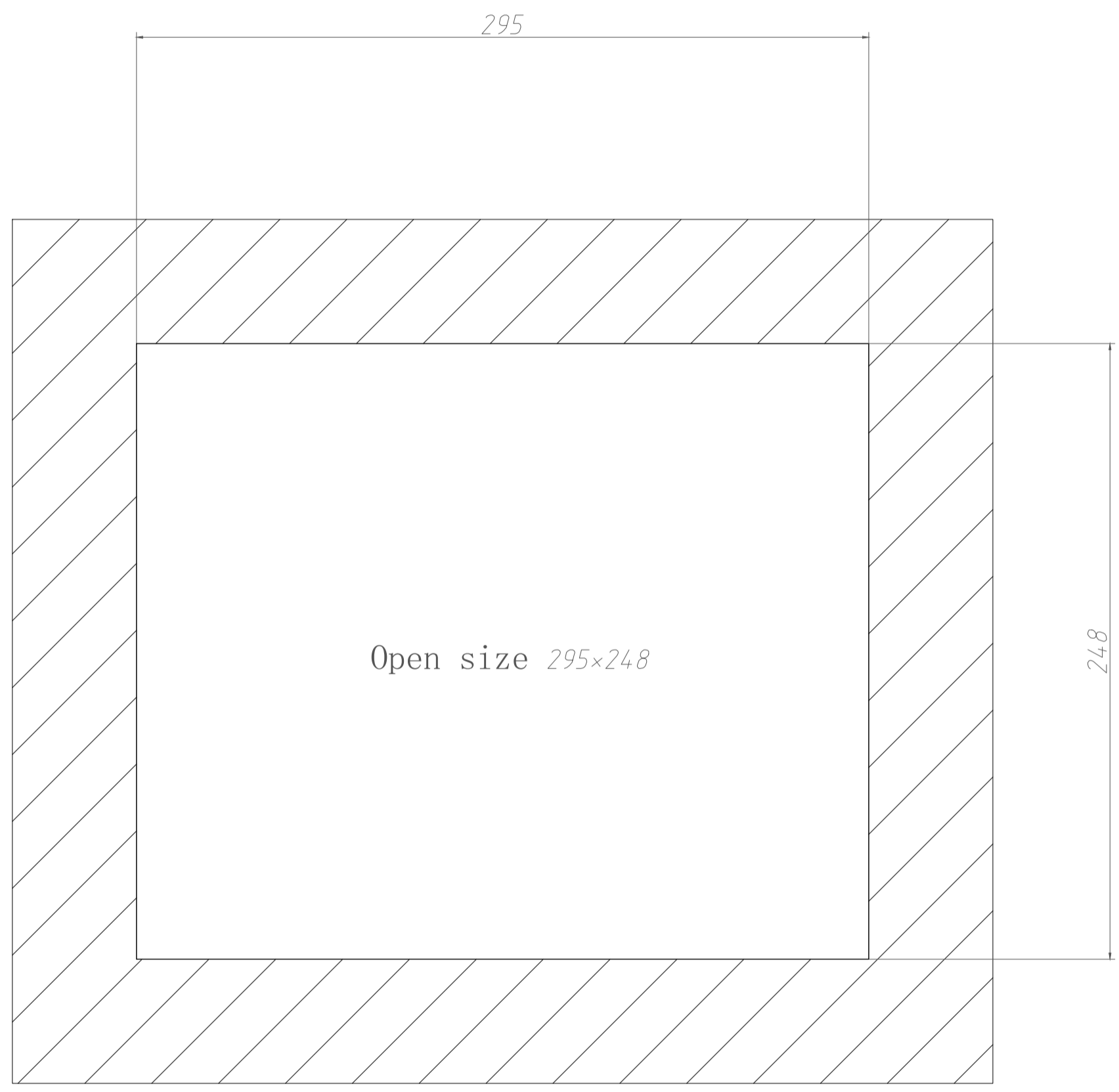
B

C

D

E

F



	PANELMATE Creative HMI Solution		Project Name :		Part Name		
	Design Check Approve				Part No		
					Material	See Notes	Size: A0
				Process	See Notes	Unit: mm	Sheet: 1 of 1